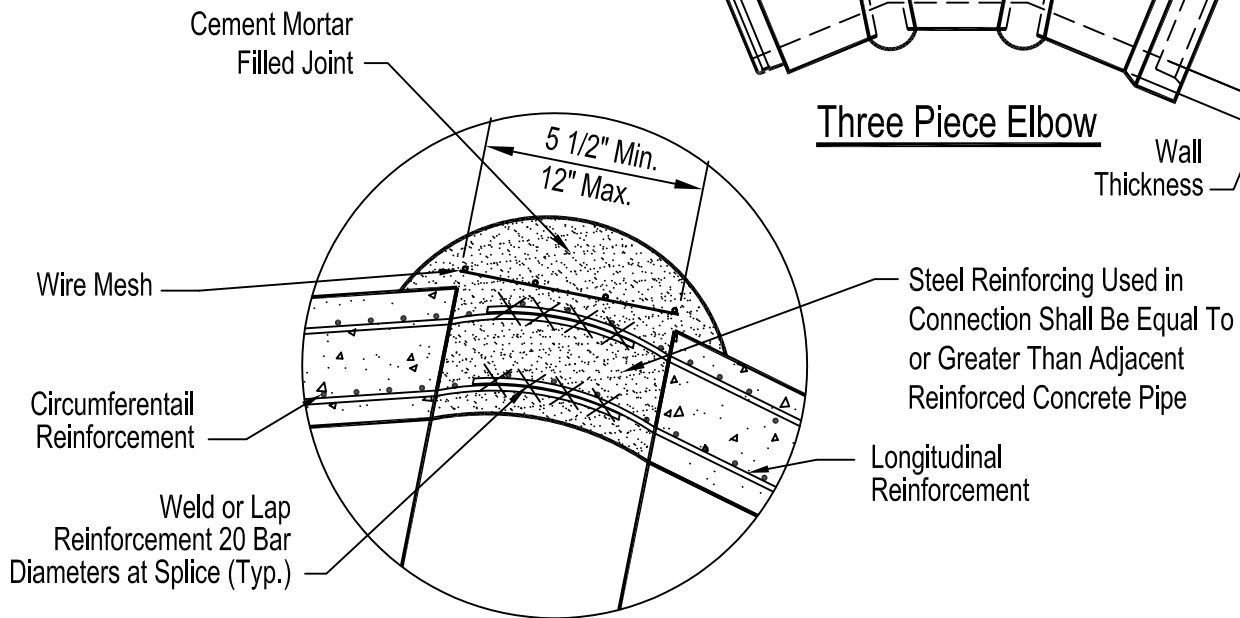
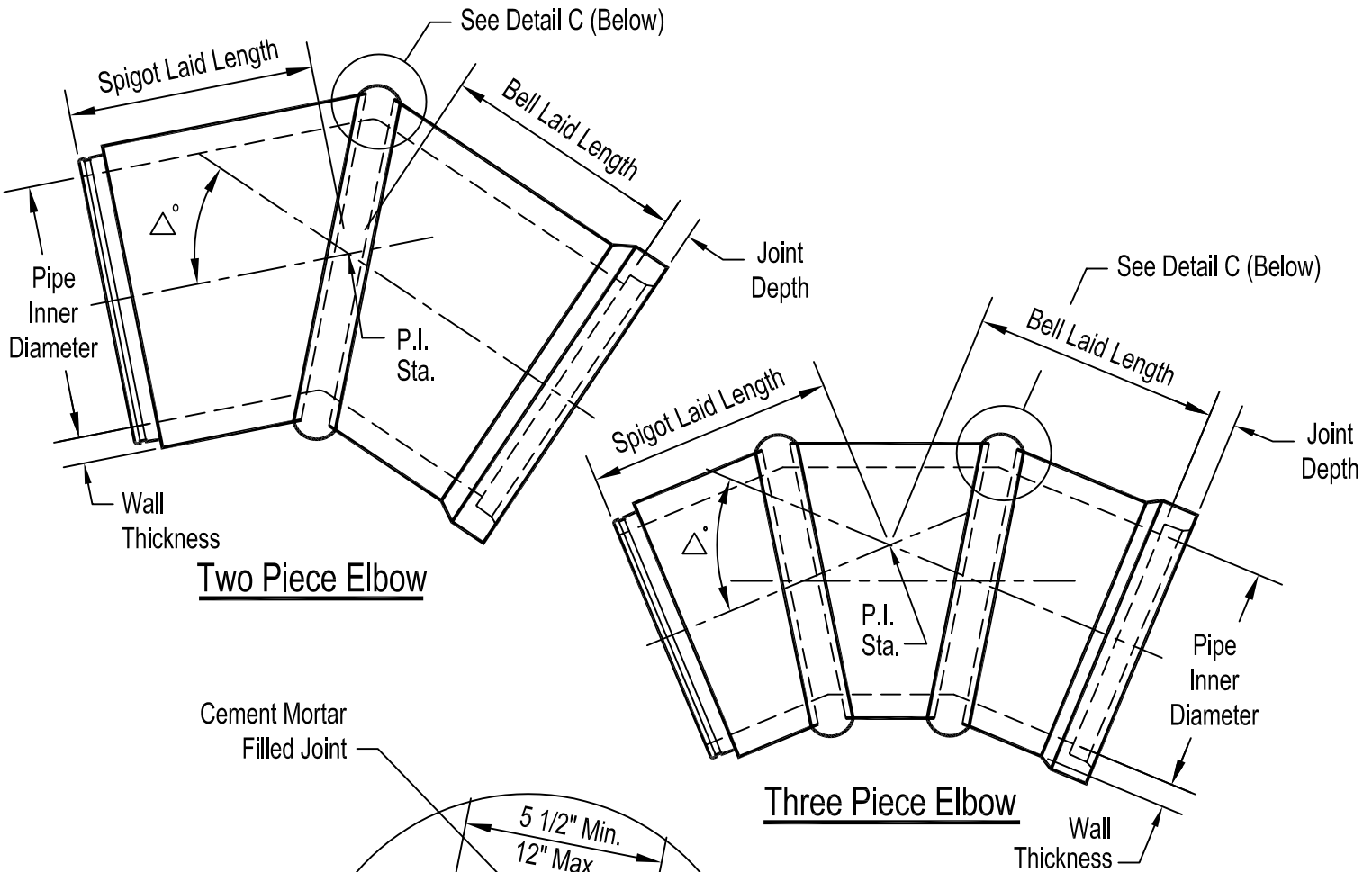


**Reinforced Concrete - Two and Three Piece Elbow Fabrication Details**



**Detail C**

Notes:

1. Produced to meet ASTM Specifications.
2. Contact a Concrete Pipe Division representative for details not listed on this sheet.