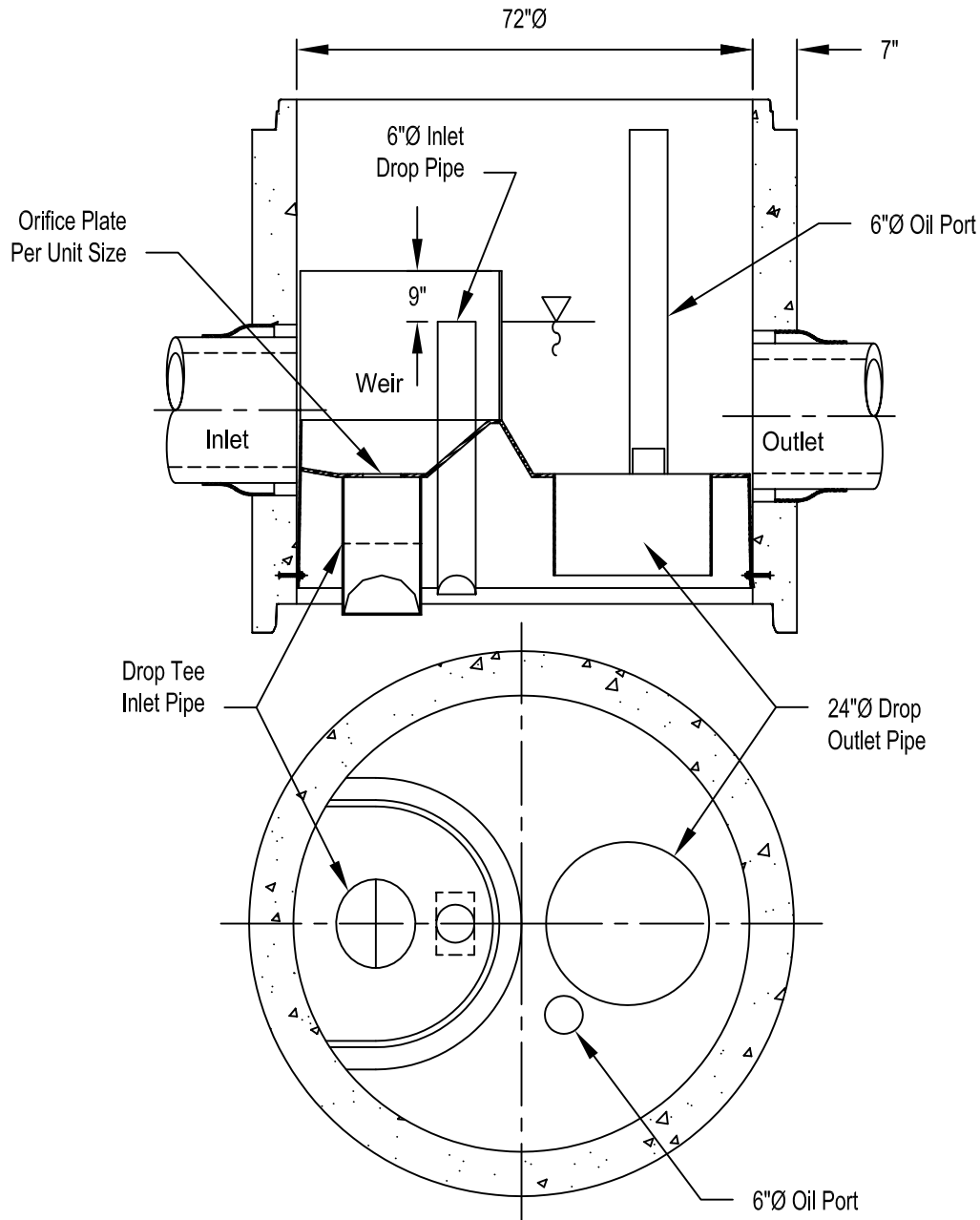


Stormceptor® Submerged Disc Detail



Notes:

1. The Top Of The 6"Ø Inlet Drop Pipe To Be Set At Elevation Of The Water Level.
2. The Top Of The Weir To Be Located 9" Above The Top Of 6" Inlet Drop Pipe.
3. The Stormceptor System is protected by one or more of the following U.S. Patents: #4985148, #5498331, #5725760, #5753115, #5849181, #6068765, #6371690.