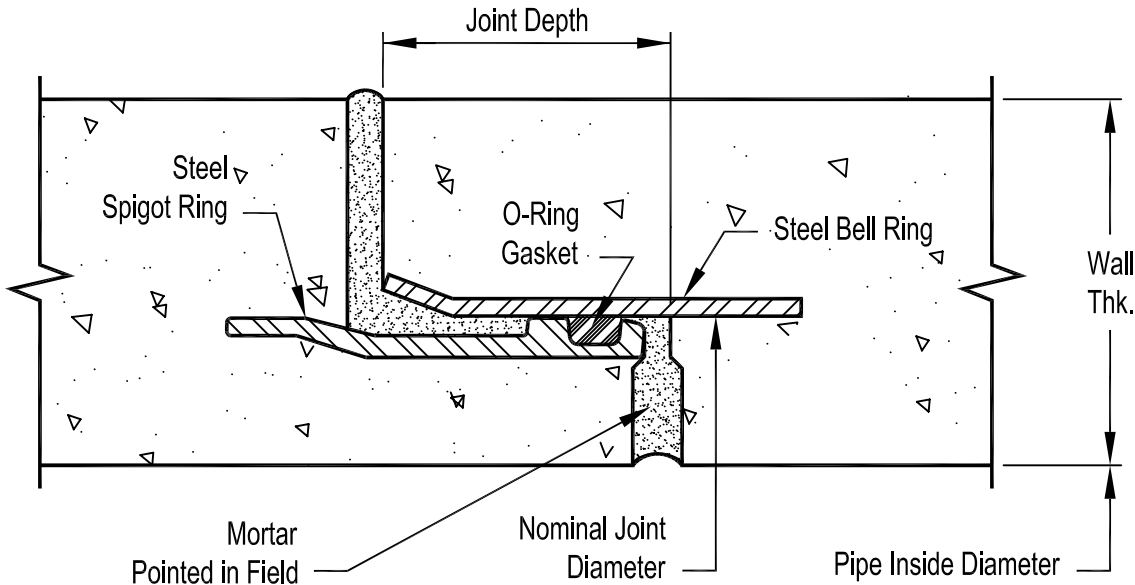
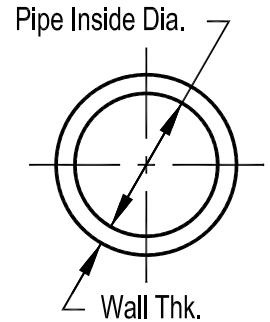


Reinforced Concrete Pipe w/ Steel Ring Joint 30" - 96" Diameter



Section Thru Joint



Section Thru Barrel

Pipe Inside Diameter (Inches)	Wall Thickness (Inches)	Bell Ring Thickness (Inches)	Joint Depth (Inches)	Nominal Joint Dia. (Inches)	Length (Feet)	Weight (Lbs./Ft.)
30	3 1/2	1/4	3 1/2	33	12	384
36	4	1/4	3 1/2	39	12	524
42	4 1/2	1/4	4	45	12	685
48	5	1/4	4 1/8	51 1/4	12	867
54	5 1/2	1/4	4 1/8	57 3/4	12	1071
60	6	1/4	4 1/8	63 7/8	12	1296
66	6 1/2	1/4	4 3/8	70 1/8	12	1542
72	7	1/4	4 1/8	76 3/8	12	1810
78	7 1/2	1/4	4 5/8	82 1/2	8 / 12	2098
84	8 3/4	1/4	5	92	8 / 12	2655
90	8 1/2	1/4	5	94 7/8	8 / 12	2740
96	9	1/4	5	101 1/8	12	3095

Pipe dimensions may vary depending upon equipment availability.

Notes:

1. Pipe manufactured to meet current ASTM and AWWA specifications.
2. Pipe diameters larger than 96" are available.
3. Contact a Concrete Pipe Division representative for details not listed on this sheet.